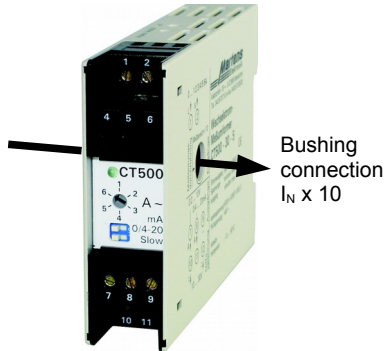


AC Current Transmitter CT500



- 12 measuring ranges selectable 0..6 A / 0..60 A AC
- Average function selectable
- Frequency range 40..2000 Hz

Characteristics

AC current transmitter CT500 converts true r.m.s. current measuring values of all types of waveform into industry standard signals for process control systems. For example, the load current of an frequency converter can be detected and converted.

Technical data

Power supply

Supply voltage : 85..265 V AC or 10..30 V AC/DC
 Frequency : 40..400 Hz
 Power consumption: < 3 VA
 Operating temperature : -10..+60 °C
 CE-conformity : EN 55022, EN 60555, IEC 61000-4-3/4/5/11/13

Input

Current
 Terminals : 0..1 / 2 / 3 / 4 / 5 / 6 AAC, over load max. 9 A
 Bushing connection: 0..10 / 20 / 30 / 40 / 50 / 60 A, over load max. 90 A, cable diameter max. 8 mm

Ri : < 20 mΩ
 Frequency : 40..2000 Hz fundamental wave, 162/3 Hz on request

Start value : adjustable ± 5 %
 End value : adjustable ± 35 %

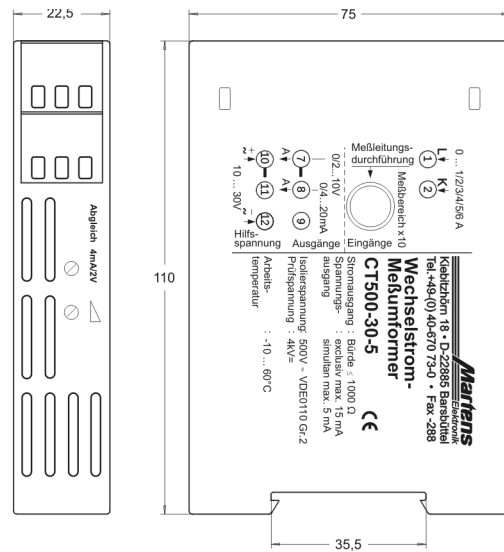
Output

Current : 0/4..20 mA, selectable, burden ≤ 1 kΩ
 Voltage : 0/2..10 V DC, selectable, load max. 15 mA, short circuit proof (parallel with the voltage output max. 5 mA)

Rise time (T₉₀) : ≤ 150 ms
 Accuracy : ≤ 0.5 %; single adjustment ≤ 0.2 %
 Case : Polycarbonate, UL94V-0
 TS 35 acc. to DIN EN 60715:2001-09

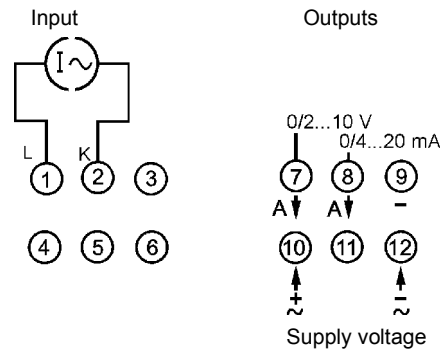
Weight : approx. 200 g
 Connection : terminals, max. 2.5 mm²
 Protection class : case IP30, terminals IP20, acc. to BGV A3

Dimensions



DIN rail mounting TS35

Connection diagrams



Ordering code

CT500 - 1. - 2.

1. Measuring ranges	
0	0..1 / 2 / 3 / 4 / 5 / 6 and 0..10 / 20 / 30 / 40 / 50 / 60 A AC <i>custom range on request</i>
2. Supply voltage	
0	85..265 V AC
5	10..30 V DC
Accessories	
KA-VT	terminal cover for measuring voltages >400 V AC