

**Product Information**

**Switching head A-H1.1**

For devices HD1K- HD2K-  
 HD1KO- HD2KO-

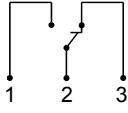
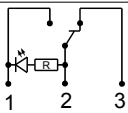


- I M1 Ex ia I
- II 1G Ex ia IIC T4
- II 1D Ex iaD 20 T135

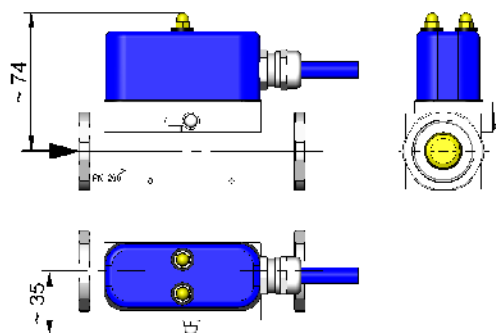
**Characteristics**

Intrinsically safe switching head with reed switch and ATEX approval, for the HD range of devices, for use in intrinsically safe power circuits.

**Technical data**

Switch	reed switch
Medium temperature	-20..+120 °C
Ambient temperature	-20..+50 °C
Weight	0.5 kg additionally
<b>without signal lamp</b>	
Wiring	transformer No. 0.213 
Switching voltage	max. 30 V
Switching current	max. 1.5 A
Switch performance	max. 50 W
<b>with signal lamp</b>	
Wiring	Transformer with signal lamp No. 0.208 
Switching voltage	max. 15 V, 28 V or 36 V
Switching current	max. 1.5 A
Switch performance	max. 45 W
Protection class	3 - Protective extra low voltage
Ingress protection	IP 65
Electrical connection	cable 2.5 m, other cable lengths up to max. 5 m are optionally available

**Dimensions**



**Handling and operation**

**Note**

**All**

- For use only in intrinsically safe power circuits - provide a suitable isolating amplifier.
- Cable lengths max. 5 m.
- It must be ensured that the values given for voltage, current, and power are not exceeded.
- When switched on, a load must be connected in series.
- The electrical details apply to ohmic loads. Capacitive, inductive and lamp loads must be operated using a protective circuit.

**HD1KO- / HD2KO-**

- Display with plastic parts - do not open in an explosive atmosphere.

**Adjustment**

If it is necessary to set the switching value, the switching head can be adjusted lengthways. When the switching value is reached, the switching unit is fixed in place by a fastening bolt.



**Ordering code**

The basic device is ordered e.g. HD1K-015GM005A with Switching head e.g. A-H1.1-1.

A-H1.1 -  1.

1. Wiring - switching voltage	
1	wiring no. 0.213 - 30 V
2	wiring no. 0.208 - 15 V
3	wiring no. 0.208 - 28 V
4	wiring no. 0.208 - 36 V