

Product Information

NH1 / NH1K-015GM

**Flow Indicator / Switch
 NH1**



- Optionally switching contact
- Rotatable scale
- Visual range 360 °

Characteristics

The NH1 flow indicator provides a reliable visual display of the present flow of a transparent fluid. The medium moves the indicator against the force of a spring, and in this way provides a quantitative determination of the flow, by reading the scale. The measurement tube is equipped with a dovetail guide which can optionally hold an NH1K limit value unit.

Technical data

Flow indicator NH1

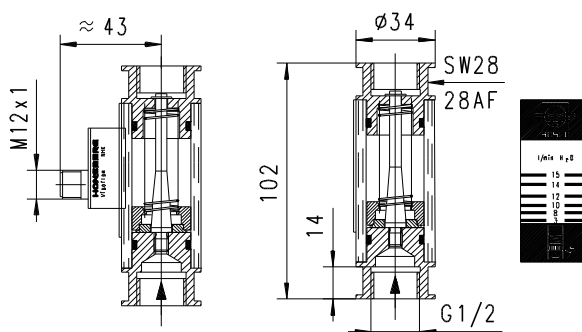
Nominal width	DN 15
Process connection	female thread G 1/2 (further process connections available on request)
Display range	3..15 l/min - the display range corresponds to horizontal inwards flow with increasing flow rate.
Q _{max.}	20 l/min
Tolerance	±10 % of full scale value
Pressure resistance	PN 10
Media temperature	-20..+65 °C
Ambient temperature	-20..+65 °C
Media	water
Materials medium-contact	CW614N nickelled, acrylic XT, POM, 1.4310, FKM. with hard ferrite switching head
Non-medium-contact materials	CW614N nickelled, acrylic XT
Weight	0.35 kg
Installation location	vertical inwards flow from below

Switching contact NH1K

Switch	reed switch
Switching range	3..15 l/min - the switching range corresponds to horizontal inwards flow with decreasing flow rate.
Tolerance	±10 % of full scale value
Ambient temperature	-20..+65 °C

Wiring	maker no. 0.378 1 2 3 4
Switching voltage	max. 250 V AC
Switching current	max. 0.5 A
Switching capacity	max. 50 VA
Protection class	2 - safety insulation
Ingress protection	IP 65
Electrical connection	for round plug connector M12x1, 4-pole
Materials	POM
Weight	0.02 kg

Dimensions



Handling and operation

- Include straight calming section of 5 x DN in inlet and outlet
- If the media are dirty, install a filter (use magnetic filter for ferritic components).
- It must be ensured that the values given for voltage, current, and power are not exceeded.
- When switch on, a load must be connected in series.
- The electrical details apply to ohmic loads. Capacitive, inductive and lamp loads must be operated using a protective circuit.

Ordering code

NH1 1. 2. 3. 4. 5.
 NH1 015 G M 015

1. Switching contact	-	flow indicator without switching contact
	K-	flow indicator with switching contact
2. Nominal width	015	DN 15 - G 1/2
3. Process connection	G	female thread
4. Connection material	M	brass
5. Display range/switching range H ₂ O for vertical inwards flow	015	3 -15 l/min

Ordering information

- Specify direction of flow, medium, and display range.