

Product Information

H1VZ-032..065GM / K

Flow Indicator H1VZ



- Viscosity stabilised from 30 to 200 mm²/s
- No electrical supply required
- Individually calibrated display

Characteristics

A piston fitted with a magnet is pushed through the medium against the force of a spring. This activates the pointer of the measuring device by means of a magnetic coupling. Because of the hermetic separation from the medium, the display unit cannot be soiled by the medium.

Technical data

Switch	without	
Nominal width	DN 32..50	
Process connection	female thread G 1 1/4..G 2 (further process connections available on request)	
Display range	2..220 l/min	for details see table "Ranges"
Q_{max.}	to 250 l/min	
Tolerance	±5 % of the full scale value plus viscosity variation	
Pressure resistance	PN 200 bar	
Media temperature	-20..+70 °C	
Ambient temperature	-20..+70 °C	
Media	water, oils (gases and aggressive media available on request)	
Electrical data	none	
Materials medium-contact	<i>Brass construction:</i> CW614N nickelled, CW614N, 1.4310, hard ferrite DN 32..40: NBR	<i>Stainless steel construction:</i> 1.4571, 1.4404, 1.4310, hard ferrite PTFE-coated, DN 32..40: FKM
Non-medium-contact materials	PC, acrylic	
Weight	see table "Dimensions and weights"	
Installation location	Standard: horizontal inwards flow from the left; other installation positions are possible; the installation position affects the display range.	

Ranges

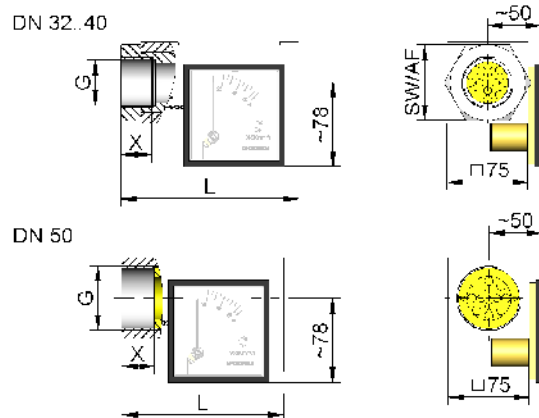
Details in the table correspond to horizontal inwards flow with increasing flow rate.

Display range l/min H ₂ O or oil 30..200 mm ² /s	Q _{max.} recommended
2 - 15	50
5 - 25	60
10 - 45	100
20 - 65	150
30 - 110	200
50 - 160	230
100 - 220	250

Special ranges are available.

Dimensions and weights

DN	G	Types	L	SW	X	Weight kg
32	G 1 1/4	H1VZ-032G.	165	70	29	5.8
40	G 1 1/2	H1VZ-040G.				5.5
50	G 2	H1VZ-050G.	150	-	26	5.0



Product Information

H1VZ-032..065GM / K

Handling and Operation

- Include straight calming section of 5 x DN in inlet and outlet
- If the media are dirty, install a filter
 (use magnetic filter for ferritic components)

Ordering code

H1V -

○=Option

1. Display	Z	with frontal measurement display Z
2. Nominal width	032	DN 32 - G 1 ¹ / ₄
	040	DN 40 - G 1 ¹ / ₂
	050	DN 50 - G 2
3. Process connection	G	female thread
4. Connection material	M	brass
	K	<input type="radio"/> stainless steel
5. Display range H₂O or oil 30..330 mm²/s for horizontal inwards flow	012	2 - 15 l/min
	025	5 - 25 l/min
	040	10 - 45 l/min
	060	20 - 65 l/min
	100	30 - 110 l/min
	150	50 - 160 l/min
	200	100 - 220 l/min

Options

- Special ranges/special scaling
- Temperature display 0..120 °C

Ordering information

- Specify direction of flow, medium, and display range.
- For oils. State viscosity, temperature and designation (e.g. ISO VG 68) (enquire about display range).
- For gases, state pressure (relative or absolute), temperature and medium (e.g. air) (request display range)