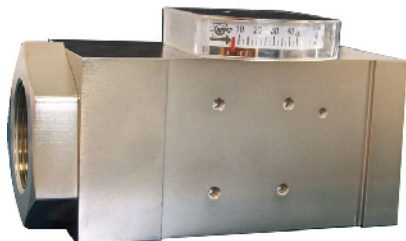


Product Information

H1VO-032..065GM / K

**Flow Indicator
H1VO**



- Viscosity stabilised from 30 to 200 mm²/s
- No electrical supply required
- Individually calibrated display

Characteristics

A piston fitted with a magnet is pushed through the medium against the force of a spring. This activates the pointer of the measuring device by means of a magnetic coupling. Because of the hermetic separation from the medium, the display unit cannot be soiled by the medium.

Technical data

Switch	without	
Nominal width	DN 32..50	
Process connection	femalethread G 1 ¹ / ₄ ..G 2 (further process connections available on request)	
Display range	2..220 l/min	for details see table "Ranges"
Q_{max.}	to 250 l/min	
Tolerance	±5 % of the full scale value plus viscosity variation	
Pressure resistance	PN 200 bar	
Media temperature	-20..+120 °C	
Ambient temperature	-20..+70 °C	
Media	water, oils (gases and aggressive media available on request)	
Electrical data	none	
Materials medium-contact	<i>Brass construction:</i> CW614N nickelled, CW614N, 1.4310, hard ferrite DN 32..40: NBR	<i>Stainless steel construction:</i> 1.4571, 1.4404, 1.4310, hard ferrite PTFE-coated, DN 32..40: FKM
Non-medium-contact materials	CW614N nickelled, PC	
Weight	see table "Dimensions and weights"	
Installation location	Standard: horizontal inwards flow from the left; other installation positions are possible; the installation position affects the display range.	

Ranges

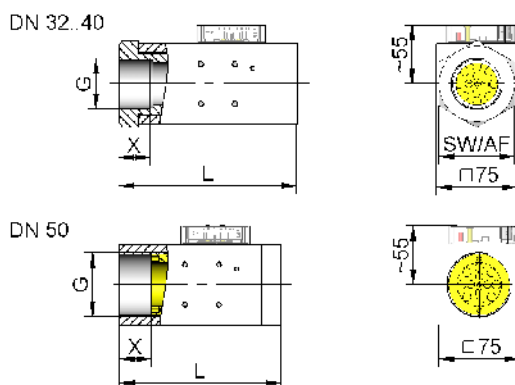
Details in the table correspond to horizontal inwards flow with increasing flow rate.

Display range l/min H ₂ O or oil 30..200 mm ² /s	Q _{max.} recommended
2 - 15	50
5 - 25	60
10 - 45	100
20 - 65	150
30 - 110	200
50 - 160	230
100 - 220	250

Special ranges are available.

Dimensions and weights

DN	G	Types	L	SW	X	Weight kg
32	G 1 ¹ / ₄	H1VO-032G.	165	70	29	5.8
40	G 1 ¹ / ₂	H1VO-040G.				5.5
50	G 2	H1VO-050G.	150	-	26	5.0



Product Information

H1VO-032..065GM / K

Handling and Operation

- Include straight calming section of 5 x DN in inlet and outlet
- If the media are dirty, install a filter
 (use magnetic filter for ferritic components)

Ordering code

H1V
 H1V -

○=Option

1. Display	O	with measurement display at side O
2. Nominal width	032	DN 32 - G 1 ¹ / ₄
	040	DN 40 - G 1 ¹ / ₂
	050	DN 50 - G 2
3. Process connection	G	female thread
4. Connection material	M	brass
	K	<input type="radio"/> stainless steel
5. Display range H₂O or oil 30..330 mm²/s for horizontal inwards flow	012	2 - 15 l/min
	025	5 - 25 l/min
	040	10 - 45 l/min
	060	20 - 65 l/min
	100	30 - 110 l/min
	150	50 - 160 l/min
	200	100 - 220 l/min

Options

- Special ranges/special scaling
- Temperature display 0..120 °C

Ordering information

- Specify direction of flow, medium, and display range.
- For oils. State viscosity, temperature and designation (e.g. ISO VG 68) (enquire about display range).
- For gases, state pressure (relative or absolute), temperature and medium (e.g. air) (request display range)