

Product Information

FLEX-HD1K / FLEX-HD2K

**Flow Meter / Monitor
 FLEX-HD1K / -HD2K**



- 4..20 mA or 0..10 V output signal
- 1 x programmable switch or frequency output
- Programmable switching value, full scale, or zero point via magnet clip
- Programming protection by removal of the clip
- Polished metal housing
- Rotatable electronic head for alignment of the 90° cable outlet
- LED for switching value display

Characteristics

The sensors work with a 16-bit processor, a 12-bit A/D and a 12-bit D/A converter. Linearisations and calibrations are carried out automatically. The Flash memory guarantees the exchangeability of all programs.

There is a choice between a switch with transistor output (push-pull) or a frequency output. The analog output 4..20 mA or 0..10 V can be used at the same time. Many options are available for the switching outputs.

- variable ranges for the analog outputs
- variable hystereses
- Minimum or maximum switch
- Inversion of the outputs
- Window function
- Delay after switching voltage on
- Switching delays (On, Off)

Technical data

Sensor	analog hall sensor	
Nominal width	DN 8..25	
Process connection	female thread G 1/4..G 1 (further process connections available on request)	
Metering range	0.1..80 l/min	for details see table "Ranges"
Pressure loss	0.4..3.5 bar at Q _{max.}	
Q_{max.}	to 100 l/min	
Tolerance	±3 % of full scale value	
Pressure resistance	PN 200 bar optionally PN 500 bar	
Media temperature	-20..+85 °C optionally -20..+150 °C	

Ambient temperature	-20..+70 °C	
Media	water, oils (gases and aggressive media available on request)	
Wiring	see section "Wiring"	
Supply voltage	18..30 V DC	
Power consumption	<1 W	
Analog output	4..20 mA / load 500 Ω max. or 0..10 V / load min. 1 kΩ	
Switching output	transistor output "push-pull", (resistant to short circuits, and reversal polarity protected) I _{out} = 100 mA max.	
Display (only with switching output)	yellow LED (On = OK / Off = Alarm)	
Ingress protection	IP 67	
Electrical connection	for round plug connector M12x1, 4-pole	
Materials medium-contact	<i>Brass construction:</i> CW614N nickelled, CW614N, 1.4310, hard ferrite, NBR	<i>Stainless steel construction:</i> 1.4571, 1.4404, 1.4310, hard ferrite PTFE-coated, FKM
Non-medium-contact materials	CW614N, PPS	
Weight	see table "Dimensions and weights"	
Installation location	Standard: horizontal inwards flow; other installation positions are possible; the installation position affects the metering and switching range.	

Ranges

Details in the table correspond to horizontal inwards flow with increasing flow rate.

Standard type FLEX-HD1K

Metering range l/min H ₂ O	Q _{max.} recommended	Pressure loss bar at Q _{max.} H ₂ O
0.1 - 1	6	0.4
0.5 - 5	10	0.5
1.0 - 10	20	0.6
2.0 - 20	30	0.4
3.0 - 30	40	
4.0 - 40	60	0.8
6.0 - 60	80	1.4
20.0 - 80	100	1.6

Special ranges are available.

Viscosity compensated type FLEX-HD2K

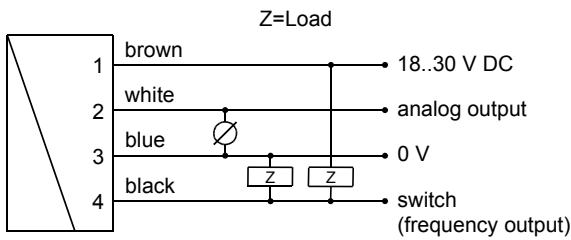
Metering range l/min oil 30..330 mm ² /s	Q _{max.} recommended	Pressure loss bar at Q _{max.} Oil mm ² /s				Viscosity stability ±8 %, min.
		60	100	205	330	
0.5 - 8	12	1.4	1.6	2.8	3.5	±0.3 l/min
1.5 - 15	22	2.3	2.4			±0.5 l/min
2.5 - 25	35	2.0	2.1	2.3	2.9	±0.8 l/min
6.0 - 40	60				2.6	±2.7 l/min
12.0 - 60	80	2.3	2.4	2.6	2.8	±3.0 l/min

Special ranges are available.

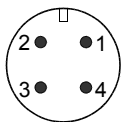
Product Information

FLEX-HD1K / FLEX-HD2K

Wiring

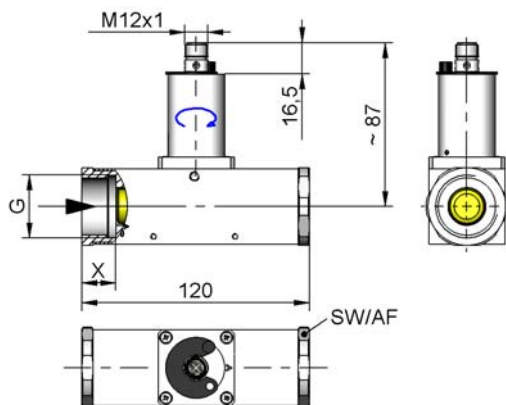


Connection example: PNP NPN



Dimensions and weights

	G	Types	SW	X	Weight kg
Brass	G 1/4	...-008GM	40	15	1.5
	G 3/8	...-010GM			
	G 1/2	...-015GM		18	1.4
	G 3/4	...-020GM			1.3
	G 1	...-025GM			1.3
Stainless steel	G 1/4	...-008GK	41	15	1.5
	G 3/8	...-010GK			
	G 1/2	...-015GK		18	1.4
	G 3/4	...-020GK			1.3
	G 1	...-025GK			1.3



Handling and operation

Note

- Include straight calming section of 5 x DN in inlet and outlet
- Include a filter if the media are dirty (use magnetic filter for ferritic components)

The electronics housing is permanently connected to the primary sensor. There is no electrical connection between the electronics and the piston device. After installation, the electronic head can be turned to align the cable outlet.

It should be noted that the piston device and the FLEX electronics are appropriately matched to each other.

Programming

The electronics contain a magnetic contact, with the aid of which different parameters can be programmed. Programming takes place when a magnet clip is applied for a period between 0.5 and 2 seconds to the marking located on the label. If the contact time is longer or shorter than this, no programming takes place (protection against external magnetic fields).



After the programming ("teaching"), the clip can either be left on the device, or removed to protect data.

The device has a yellow LED which flashes during the programming pulse. During operation, the LED serves as a status display for the switching output.

In order to avoid the need to transit to an undesired operating status during "teaching", the device can be provided ex-works with a "teach-offset". The "teach-offset" value is added to the currently measured value before saving (or is subtracted if a negative value is entered).

Example: The switching value is to be set to 70 % of the metering range, because at this flow rate a critical process status is to be notified. However, only 50% can be achieved without danger. In this case, the device would be ordered with a "teach-offset" of +20 %. At 50 % in the process, a switching value of 70 % would then be stored during "teaching".

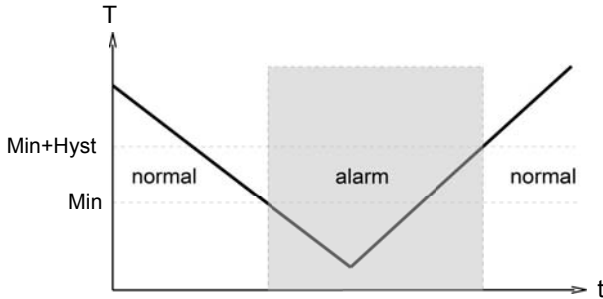
Normally, programming is used to set the limit switch. However, if desired, other parameters such as the end value of the analog or frequency output may also be set.

Product Information

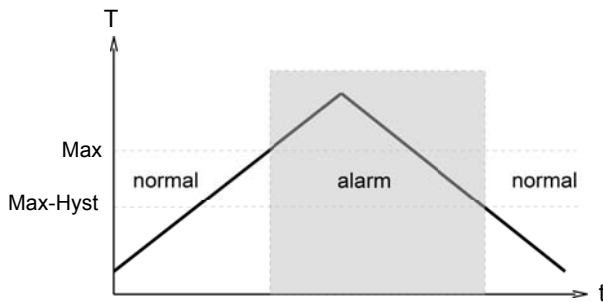
FLEX-HD1K / FLEX-HD2K

The limit switch can be used to monitor minima or maxima.

With a minimum-switch, falling below the limit value causes a switchover to the alarm state. Return to the normal state occurs when the limit value plus the set hysteresis is again exceeded.



With a maximum-switch, exceeding the limit value causes a switchover to the alarm state. Return to the normal state occurs when the measured value once more falls below the limit value minus the set hysteresis.



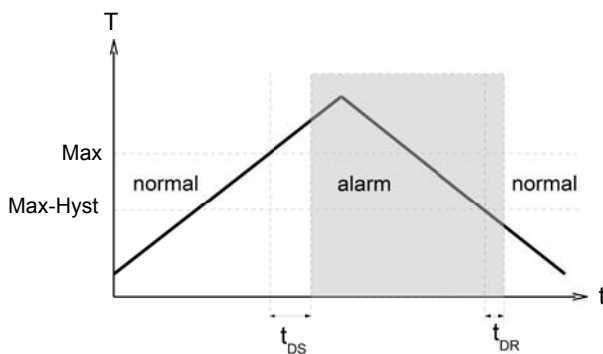
A Power-On delay function (ordered as a separate option) makes it possible to maintain the switching output in the normal state for a defined period after application of the supply voltage.

Combinations with FLEX

FLEX-converter / counter can be combined with very different types of pickup systems for flow rate, level, temperature, and pressure. This has created a family of sensors with which different types of applications can be supported.



A switchover delay time (t_{DS}) can be applied to the switchover to the alarm state. Equally, one switch-back delay time (t_{DR}) of several can be applied to switching back to the normal state.



In the normal state the integrated LED is on, in the alarm state it is off, and this corresponds to its status when there is no supply voltage.

In the non-inverted (standard) model, while in the normal state the switching output is at the level of the supply voltage; in the alarm state it is at 0 V, so that a wire break would also display as an alarm state at the signal receiver. Optionally, an inverted switching output can also be provided, i.e. in the normal state the output is at 0 V, and in the alarm state it is at the level of the supply voltage.

Product Information

FLEX-HD1K / FLEX-HD2K

Ordering code

The base device e.g. HD1K-015GM005E is ordered with electronics e.g. FLEX-HD1KIULO

1. 2. 3. 4. 5. 6.
HD -

7. 8. 9. 10. 11.
FLEX-HD

1. Construction			
1K	standard		
2K	viscosity compensated		
2. Nominal width			
008	DN 8 - G 1/4		
010	DN 10 - G 3/8		
015	DN 15 - G 1/2		
020	DN 20 - G 3/4		
025	DN 25 - G 1		
3. Process connection			
G	female thread		
4. Connection material			
M	brass		
K	stainless steel		
5. HD1K - Metering range H₂O for horizontal Inwards flow			
001	0.1 - 1 l/min		•
005	0.5 - 5 l/min		•
010	1.0 - 10 l/min		•
020	2.0 - 20 l/min		•
030	3.0 - 30 l/min		•
040	4.0 - 40 l/min		•
060	6.0 - 60 l/min		•
080	20.0 - 80 l/min		•
HD2K - metering range oil 30..330 mm²/s for horizontal inwards flow			
008	0.5 - 8 l/min		•
015	1.5 - 15 l/min		•
025	2.5 - 25 l/min		•
040	6.0 - 40 l/min		•
060	12.0 - 60 l/min		•
6. Connection for			
E	electronics		• •
7. For base device			
1K	standard		•
2K	viscosity compensated		•
8. Analog output			
I	current output 4..20 mA		
U	voltage output 0..10 V		
K	no analog output		
9. Switching output			
T	push-pull (compatible with PNP and NPN)		
K	no switching output		
10. Function set to switching output			
L	minimum-switch		
H	maximum-switch		
R	frequency output		
K	no switching output		
11. Switching output level			
O	standard		
I	inverted		

Options for FLEX

- Special range for analog output:** l/min
<= Metering range (standard=metering range)
- Special range for frequency output:** l/min
<= Metering range (Standard=Metering range)
- End frequency (max. 2000 Hz)** Hz
- Power-on delay** (from Alarm to OK) s
- Power-off delay** (from OK to Alarm) s
- Power-On delay (0..99 s)** (time after power on, during which the outputs are not actuated) s
- Switching output fixed** l/min
- Special hysteresis** (standard = 2 % EW) %
- Gooseneck** (recommended at operating temperatures above 70 °C)

If the field is not completed, the standard setting is selected automatically.

Options

- Measured values for oil or gas
- Special quantities
- Temperature display 0..120 °C
- reinforced piston

Accessories

- Cable/round plug connector (KB...) see additional information "Accessories"

Ordering information

- Specify direction of flow, medium, and metering range.
- For viscous media specify viscosity, temperature, and medium (e.g. ISO VG 68) (enquire about metering range).
- For gases, state pressure (relative or absolute), temperature and medium (e.g. air) (request metering range)